

Meter Units

Inch and Metric Threads

General

Meter units are oil proportioning devices for cyclic systems. Each outlet of a lubricating system is controlled by a meter unit. The lubricator in the system dispenses known amounts of oil to the distribution network and meter units deliver this oil in varying amounts to the bearing points.

The first letter of the meter unit identifies the type of threads on the unit. Meter units that begin with the letter "F" denote inch threads, while those that start with the letter "A" signify metric threads.

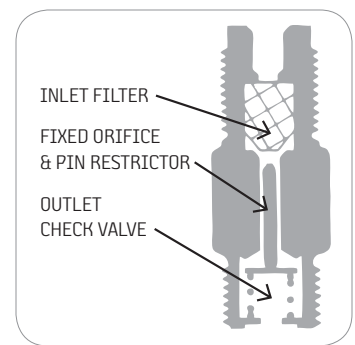
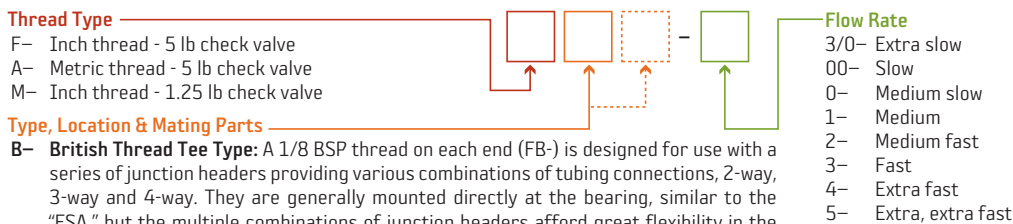
Standard flow rates range from 00 (medium slow) to 3 (fast). For special situations, 3/0 (slow) and 5 (extra, extra fast) rates are available. Each incremental increase in rate size doubles the oil flow to a point.

Application

Meter units type "F" must be used with all cyclic type lubricators (cannot be used with continuous lubricators). Meter units feed in one direction only. This is indicated by arrow stamped on body.

How to Order

Meter units have a letter and number designation stamped on the flat surface of the hexagonal body. Part numbers are listed in the tables on the following pages. When ordering, specify the complete name and part number, e.g. Meter Unit, Type FSA-0, Part #B1083. (Use the chart below as reference only for letter and number designation definitions.)



References


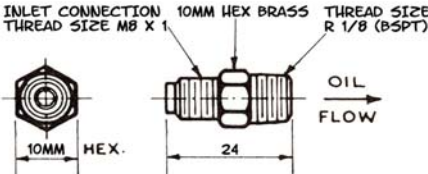

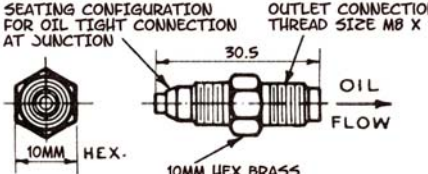

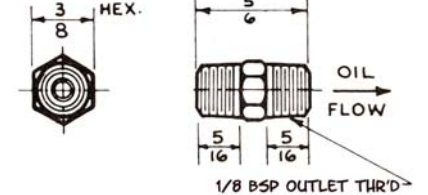

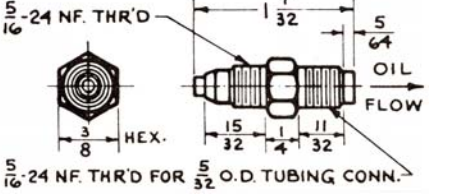

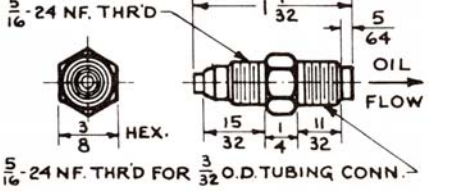

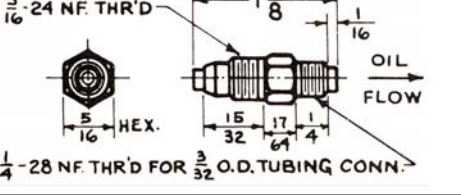

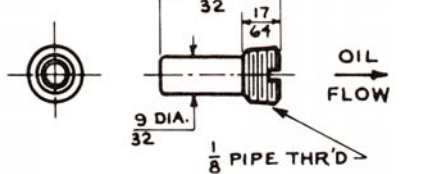
- + Brochure #106: Single Line Resistance Systems
- + Brochure #151: Specialty Fluid Fittings
- + Flier #005: Bijur Sales Flier

BIJUR DELIMON INTERNATIONAL

(919) 465 4448 LOCAL
 (800) 631 0168 TOLL-FREE
 (919) 465 0516 FAX

WWW.BIJURDELIMON.COM

2100 Gateway Centre Blvd., Suite 109
 Morrisville, NC 27560

Name	Photo	Flow	Part #	Dimensional Schematic
ASA		3/0	17841-3/0	 <p>INLET CONNECTION THREAD SIZE M8 X 1</p> <p>10MM HEX BRASS</p> <p>THREAD SIZE R 1/8 (BSP)</p> <p>10MM HEX.</p> <p>24</p> <p>OIL FLOW</p>
		00	17841-00	
		0	17841-0	
		1	17841-1	
		2	17841-2	
		3	17841-3	
		4	17841-4	
5	17841-5			
AJB		3/0	15323-3/0	 <p>SEATING CONFIGURATION FOR OIL TIGHT CONNECTION AT JUNCTION</p> <p>30.5</p> <p>10MM HEX.</p> <p>10MM HEX BRASS</p> <p>OIL FLOW</p>
		00	15323-00	
		0	15323-0	
		1	15323-1	
		2	15323-2	
		3	15323-3	
		4	15323-4	
5	15323-5			
FB		3/0	B8724	 <p>3 8 HEX.</p> <p>5 6</p> <p>5 16</p> <p>5 16</p> <p>1/8 BSP OUTLET THR'D</p> <p>OIL FLOW</p>
		00	B8725	
		0	B8452	
		1	B8726	
		2	B8727	
		3	B8728	
		4	B8729	
5	B8730			
FJB		3/0	B6548	 <p>5/16-24 NF. THR'D</p> <p>1 7/32</p> <p>5/64</p> <p>3 8 HEX.</p> <p>15/32</p> <p>1/4</p> <p>11/32</p> <p>5/16-24 NF. THR'D FOR 5/32 O.D. TUBING CONN.</p> <p>OIL FLOW</p>
		00	B2494	
		0	B2495	
		1	B2496	
		2	B2497	
		3	B2498	
		4	B2499	
5	B2500			
FJC		3/0	B7267	 <p>5/16-24 NF. THR'D</p> <p>1 7/32</p> <p>5/64</p> <p>3 8 HEX.</p> <p>15/32</p> <p>1/4</p> <p>11/32</p> <p>5/16-24 NF. THR'D FOR 3/32 O.D. TUBING CONN.</p> <p>OIL FLOW</p>
		00	B3314	
		0	B3315	
		1	B3316	
		2	B3317	
		3	B3318	
		4	B3319	
5	B3320			
FJD		3/0	B6085	 <p>5/16-24 NF. THR'D</p> <p>1 1/8</p> <p>1/16</p> <p>5 16 HEX.</p> <p>15/32</p> <p>17/64</p> <p>1/4</p> <p>1/4-28 NF. THR'D FOR 3/32 O.D. TUBING CONN.</p> <p>OIL FLOW</p>
		00	B3773	
		0	B3774	
		1	B3775	
		2	B3776	
		3	B3777	
		4	B3778	
5	B3779			
FKA		3/0	B7271	 <p>29 32</p> <p>17 64</p> <p>9 DIA. 32</p> <p>1/8 PIPE THR'D</p> <p>OIL FLOW</p>
		00	B3913	
		0	B3914	
		1	B3915	
		2	B3916	
		3	B3917	
		4	B3918	
5	B3919			

Measurements shown in millimeters.


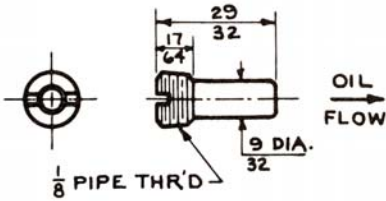

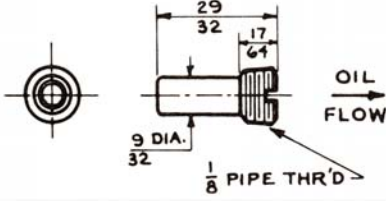

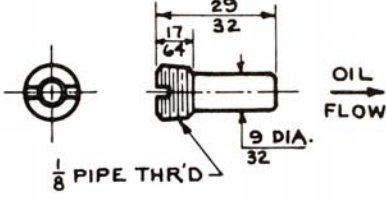

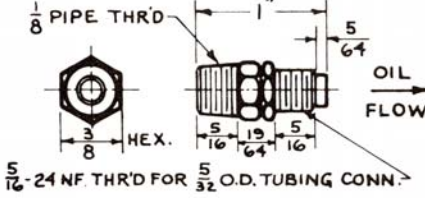

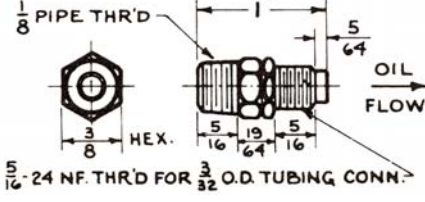

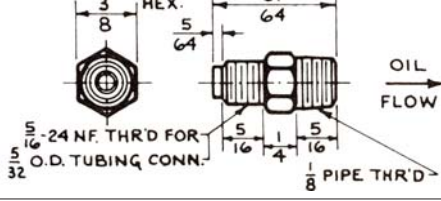

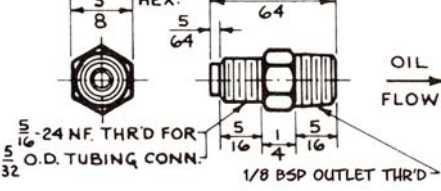
Measurements shown in millimeters.

BIJUR DELIMON INTERNATIONAL

(919) 465 4448 LOCAL
(800) 631 0168 TOLL-FREE
(919) 465 0516 FAX

WWW.BIJURDELIMON.COM

2100 Gateway Centre Blvd., Suite 109
Morrisville, NC 27560


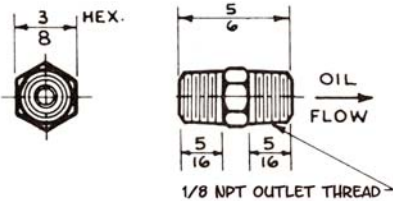

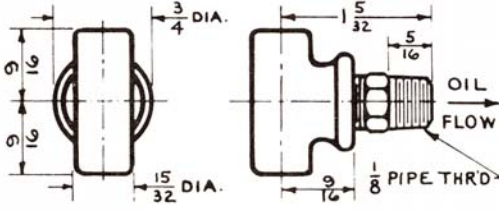

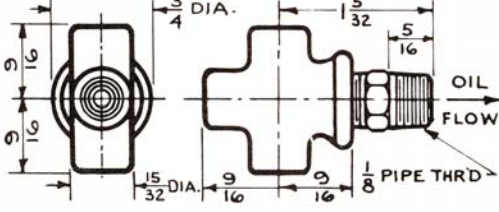

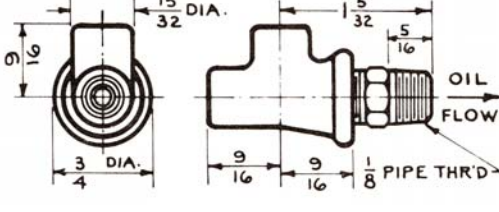

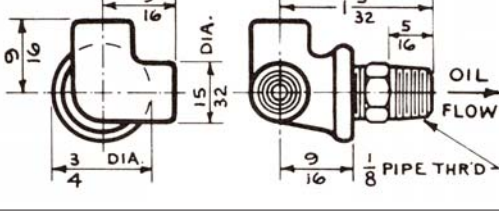

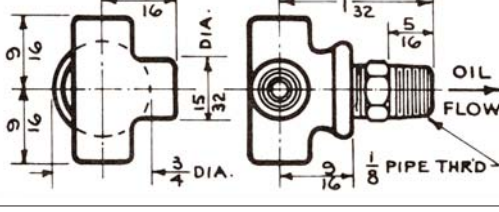

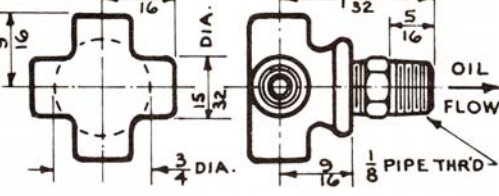
Name	Photo	Flow	Part #	Dimensional Schematic
FKB		3/0	B7273	 <p>29 32 17 64 9 DIA. 32 1/8 PIPE THR'D OIL FLOW</p>
		00	B3980	
		0	B3981	
		1	B3982	
		2	B3983	
		3	B3984	
4	B3985			
5	B3986			
FKD		3/0	B8878	 <p>29 32 17 64 9 DIA. 32 1/8 PIPE THR'D OIL FLOW</p>
		00	B8870	
		0	B8871	
		1	B8872	
		2	B8873	
		3	B8874	
4	B8875			
5	B8876			
FKE		3/0	B8868	 <p>29 32 17 64 9 DIA. 32 1/8 PIPE THR'D OIL FLOW</p>
		00	B8860	
		0	B8861	
		1	B8862	
		2	B8863	
		3	B8864	
4	B8865			
5	B8866			
FRA		3/0	B7265	 <p>1/8 PIPE THR'D 1" 5/64 OIL FLOW 3/8 HEX. 5/16 19/64 5/16 5/16-24 NF. THR'D FOR 5/32 O.D. TUBING CONN.</p>
		00	B2559	
		0	B3215	
		1	B3216	
		2	B3217	
		3	B3218	
4	B3219			
5	B3220			
FRC		3/0	B7269	 <p>1/8 PIPE THR'D 1" 5/64 OIL FLOW 3/8 HEX. 5/16 19/64 5/16 5/16-24 NF. THR'D FOR 3/32 O.D. TUBING CONN.</p>
		00	B3579	
		0	B3580	
		1	B3581	
		2	B3582	
		3	B3583	
4	B3584			
5	B3585			
FSA		3/0	B6526	 <p>3/8 HEX. 5/64 61 64 OIL FLOW 5/16 1 5/16 5/16-24 NF. THR'D FOR 5/32 O.D. TUBING CONN. 1/8 PIPE THR'D</p>
		00	B1620	
		0	B1083	
		1	B1084	
		2	B1085	
		3	B1086	
4	B1087			
5	B1088			
FSB		3/0	B8717	 <p>3/8 HEX. 5/64 61 64 OIL FLOW 5/16 1 5/16 5/16-24 NF. THR'D FOR 5/32 O.D. TUBING CONN. 1/8 BSP OUTLET THR'D</p>
		00	B8718	
		0	B8455	
		1	B8719	
		2	B8720	
		3	B8721	
4	B8722			
5	B8723			

BIJUR DELIMON INTERNATIONAL

(919) 465 4448 LOCAL
(800) 631 0168 TOLL-FREE
(919) 465 0516 FAX

WWW.BIJURDELIMON.COM

2100 Gateway Centre Blvd., Suite 109
Morrisville, NC 27560

Name	Photo	Flow	Part #	Dimensional Schematic
FT		3/0	B6529	
		00	B1398	
		0	B1112	
		1	B1113	
		2	B1114	
		3	B1115	
		4	B1116	
5	B1117			
FTA		3/0	B6549	
		00	B1524	
		0	B1071	
		1	B1072	
		2	B1073	
		3	B1074	
		4	B1075	
5	B1076			
FTB		3/0	B6550	
		00	B1528	
		0	B1077	
		1	B1078	
		2	B1079	
		3	B1080	
		4	B1081	
5	B1082			
FTC		3/0	B6551	
		00	B1530	
		0	B1098	
		1	B1099	
		2	B1100	
		3	B1101	
		4	B1102	
5	B1103			
FTD		3/0	B6552	
		00	B1532	
		0	B1106	
		1	B1107	
		2	B1108	
		3	B1109	
		4	B1110	
5	B1111			
FTG		3/0	B6553	
		00	B2759	
		0	B2760	
		1	B2761	
		2	B2762	
		3	B2763	
		4	B2764	
5	B2765			
FTH		3/0	B6554	
		00	B2769	
		0	B2770	
		1	B2771	
		2	B2772	
		3	B2773	
		4	B2774	
5	B2775			


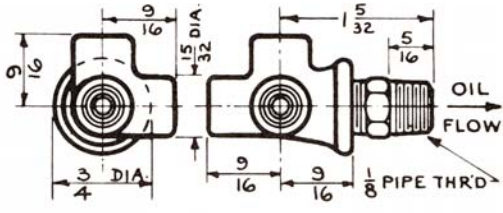

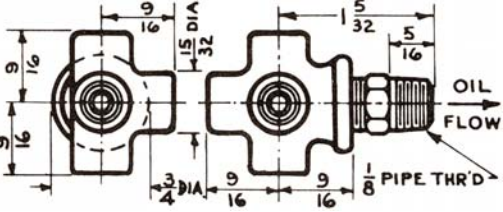

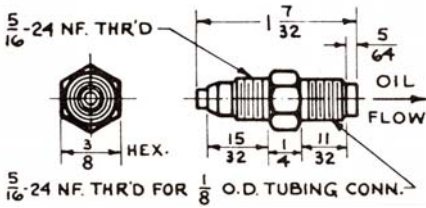
BIJUR DELIMON INTERNATIONAL

(919) 465 4448 LOCAL
(800) 631 0168 TOLL-FREE
(919) 465 0516 FAX

WWW.BIJURDELIMON.COM

2100 Gateway Centre Blvd., Suite 109
Morrisville, NC 27560

35470 • R2 09/12

Name	Photo	Flow	Part #	Dimensional Schematic
FTK		3/0	B6555	
		00	B4128	
		0	B4129	
		1	B4130	
		2	B4131	
		3	B4132	
FTL		3/0	B6556	
		00	B4368	
		0	B4369	
		1	B4370	
		2	B4371	
		3	B4372	
MJ		00	B8042	
		1	B8043	
		2	B8044	
		5	B9514	

BIJUR DELIMON INTERNATIONAL

(919) 465 4448 LOCAL
(800) 631 0168 TOLL-FREE
(919) 465 0516 FAX

WWW.BIJURDELIMON.COM

2100 Gateway Centre Blvd., Suite 109
Morrisville, NC 27560