

# E-Series Lube Packages

## DESCRIPTION

The basic Trabon® E Series Lube package consists of a positive displacement, single-acting pneumatic pump and either reservoirs for oils up to 30,000 SUS, or grease reservoirs.

The pump, which operates at 40 to 150 psi (3 to 10 bar) air pressure, has a displacement and output of 0.030 cubic inches (0.491 cm<sup>3</sup>) or .010 - .030 (.160 - .491 cm<sup>3</sup>) per stroke. Maximum rated operating pressure is 2,000 psi. The fixed output pump comes with a 1,750 psi high pressure rupture disc assembly. Both pumps include a built-in lube outlet check valve.

The basic package is available with matched, modular low level switch, pressure gauge and 3-way pneumatic valve accessories.

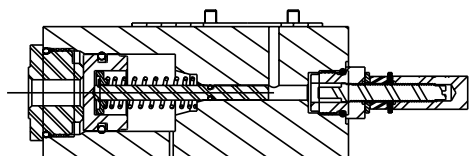


## FEATURE/BENEFITS

- Simplicity of pump design ensures long-lasting dependability. The pump's only moving parts are the air and lube pistons and spring, plus the check valve ball and its spring.
- Built-in high pressure rupture disc assembly (1,750 psi or 121 bar) (fixed output pump) prevents high downstream back-pressure conditions from damaging the pump. Optional discs, with higher ratings, are available.
- Modular design allows field installation of accessories without disturbing existing piping.
- Fast, simple installation. The pump mounts to the bottom of the reservoir. Low level switch assembly mounts to top of reservoir, and the pressure gauge accessory threads into a port on the side of the pump. The entire assembly is mounted with two screws through holes provided in the mounting bracket.

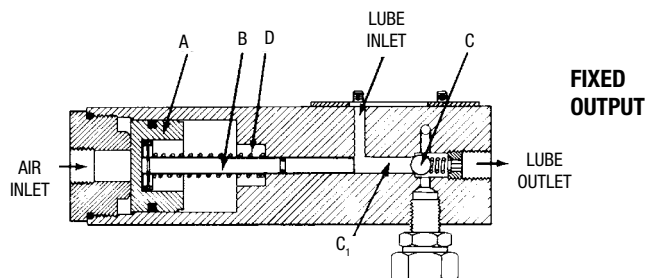
## OPERATION

Air under pressure from a central supply enters the air inlet on the pump. The air piston (A) and the lube piston (B) are moved to the right by this air under pressure. This forces the lubricant from the chamber (C<sub>1</sub>) through the check valve (C) and out into the distribution system. When the air supply is vented, the piston spring (D) returns the air and lube pistons (A&B) to their original position. The ball check spring closes the check valve. The return of the pistons to their original position opens the inlet for oil or grease to enter chamber (C<sub>1</sub>) and prime the pump for the next stroke.



ADJUSTABLE  
OUTPUT

| SPECIFICATIONS                    |  |
|-----------------------------------|--|
| Pump Body Material                | Aluminum   |
| Lubricant                         | Oil or Grease  |
| Output per Stroke                 | 0.030 cu.in. (0.491 cm <sup>3</sup> )  |
| Adj Output E Pump                 | 0.010-0.030 cu.in. (0.160-0.491 cm <sup>3</sup> )  |
| Pump Ratio                        | 20:1   |
| Air Pressure                      | 40-150 psi (3-10 bar)  |
| Air Volume to Operate per Stroke  | 0.85 cu.in. (13.9 cc)  |
| Recommended Lube Pressure (max)   | 2000 psi (138 bar)   |
| <b>High Pressure Protection</b>   |  |
| Rupture Disc                      | 1750 psi (121 bar)   |
| Cycle Rate (max)                  | 10 cpm (Grease), 30 cpm (Light Oil)  |
| Reservoir Material                | Plastic and Steel  |
| <b>Reservoir Capacity</b>         |  |
| Oil                               | 4-20 pints (1.89-9.45 liters)  |
| Grease                            | 3-20 lbs (1.36-9.04 kg)  |
| <b>Low Level Switch</b>           |  |
| Oil                               | 10 Watts @ 120 VAC (resistive), 1/4 amp SPST, or 15 amp, 120 VAC (resistive), 1/2 amp SPDT |
| Grease                            | SPDT, 15 amps @ 120, 240 & 480 VAC, 1/2 amp @ 120 VDC, or 1/4 amp @ 240 VDC                |
| <b>Mounting Screw Torque</b>      |  |
| Rectangular Plastic Oil Reservoir | 20 in lbs  |
| Cylindrical Reservoir             | 8-11 ft lbs  |



FIXED  
OUTPUT

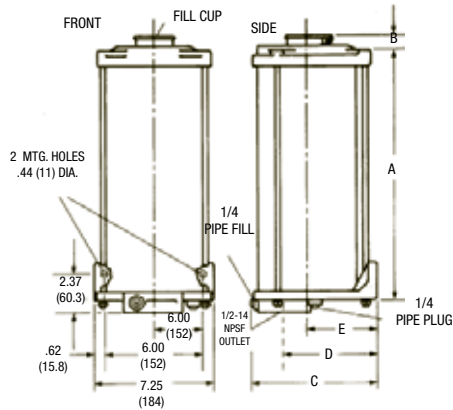
| <b>ORDERING INFORMATION</b>                                     |          |              |
|---|----------|--------------|
| Description   | Part No. | Old Part No. |
| <b>ASSEMBLIES W/FIXED OUTPUT PUMP</b>                           |          |              |
| E-Series w/3 lb Reservoir w/Low Level Switch & Pressure Gauge   | 563365   | 521-300-921  |
| E-Series Grease Pump & 6 lb Reservoir Package                   | 563363   | 521-300-660  |
| E-Series Grease Pump, 6 lb Reservoir & Low Level Switch Package | 563364   | 521-300-670  |
| E-Series Oil Pump & 4 pint Reservoir Package                    | 563361   | 521-300-370  |
| E-Series Oil Pump, 4 pint Reservoir & Low Level Switch Package  | 563362   | 521-300-380  |
| <b>COMPONENTS</b>   |          |              |
| E Pump  | 563358   | 521-300-180  |
| *Adj Output E Pump  | 563367   | 521-301-000  |
| <b>OIL RESERVOIRS</b>   |          |              |
| 4 pint Rectangular Plastic (1.89 liter)                         | 563359   | 521-300-190  |
| 5 pint Cylindrical Plastic (2.36 liter)                         | 562891   | 185-100-080  |
| 6 pint Cylindrical Plastic (2.84 liter)                         | 562904   | 185-100-750  |
| 12 pint Cylindrical Plastic (5.67 liter)                        | 562889   | 185-100-060  |
| 20 pint Cylindrical Plastic (9.45 liter)                        | 562890   | 185-100-070  |
| <b>GREASE RESERVOIRS</b>  |          |              |
| 3 lb Cylindrical Plastic (1.36 kg)                              | 562910   | 185-101-080  |
| 5 lb Cylindrical (2.26 kg)                                      |          |              |
| Plastic   | 562888   | 185-100-040  |
| Metal   | 564264   | 185-100-050  |
| 6 lb Cylindrical (2.71 kg)                                      |          |              |
| Plastic   | 562905   | 185-100-760  |
| Metal   | 562906   | 185-100-770  |

|   |        |             |
|---|--------|-------------|
| 12 lb Cylindrical (5.42 kg)                                 |        |             |
| Plastic   | 562884 | 185-100-000 |
| Metal   | 562886 | 185-100-020 |
| 20 lb Cylindrical (9.04 kg)                                 |        |             |
| Plastic   | 562885 | 185-100-010 |
| Metal   | 562887 | 185-100-030 |
| <b>LOW LEVEL OPTIONS (NOT AVAILABLE FOR 3 LB CYL. RES.)</b> |        |             |
| 4 pint Rectangular, Oil                                     | 563378 | 521-500-890 |
| 5 & 6 pint Cylindrical, Oil (15 amp)                        | 563316 | 521-001-030 |
| 20 pint Cylindrical, Oil (15 amp)                           | 562217 | 521-001-040 |
| All Grease Reservoirs (15 amp)                              | 563322 | 521-001-110 |
| 5 & 12 pint Cylindrical, Oil (10 watt)                      | 563015 | 456-010-172 |
| 20 pint Cylindrical, Oil (10 watt)                          | 563016 | 456-010-173 |
| <b>ACCESSORIES (FOR FIELD INSTALLATION)</b>                 |        |             |
| Pressure Gauge, 3000 psi (207 bar)                          | 557864 | 543-362-000 |
| **Pressure Gauge Adaptor                                    | 556415 | 412-330-020 |
| 3-Way Modular Pneumatic Valve                               |        |             |
| 115 VAC   | 563315 | 521-001-020 |
| 24 VDC  | 563332 | 521-002-100 |
| Pump Repair Kit (fixed output)                              | 563909 | 560-001-210 |
| Pump Repair Kit (adjustable E pump)                         | 563945 | 560-002-973 |
| Replacement Blowout Disc                                    |        |             |
| Yellow, 1450 psi  | 557433 | 509-292-000 |
| Red, 1750 psi   | 557434 | 509-293-000 |

\*Adjustable output pump is not fitted with rupture disc assembly.

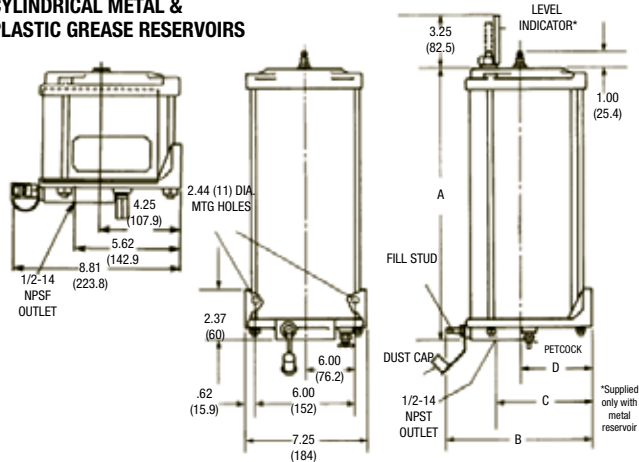
\*\*Both Gauge and Adaptor must be ordered for field installation of the Pressure Gauge

#### CYLINDRICAL PLASTIC OIL RESERVOIRS



| SIZE    | A           | B          | C          | D           | E           |
|---------|-------------|------------|------------|-------------|-------------|
| 5-Pint  | 15.00 (381) | .62 (15.9) | 5.81 (148) | 3.80 (96.4) | 3.50 (88.9) |
| 6-Pint  | 10.50 (267) | .75 (19.1) | 7.50 (191) | 5.62 (143)  | 4.25 (108)  |
| 12-Pint | 15.00 (381) | .75 (19.1) | 7.50 (191) | 5.62 (143)  | 4.25 (108)  |
| 20-Pint | 22.00 (559) | .75 (19.1) | 7.50 (191) | 5.62 (143)  | 4.25 (108)  |

#### CYLINDRICAL METAL & PLASTIC GREASE RESERVOIRS



| SIZE   | Actual Cap. | A            | B          | C           | D           |
|--------|-------------|--------------|------------|-------------|-------------|
| 3-lb.  | 3 lb.       | 6.88 (174.8) | 8.81 (224) | 5.62 (143)  | 4.25 (103)  |
| 5-lb.  | 2.7         | 15 (381)     | 7.25 (184) | 3.62 (92.1) | 2.50 (63.5) |
| 6-lb.  | 2.6         | 10.5 (267)   | 8.81 (224) | 5.62 (143)  | 4.25 (108)  |
| 12-lb. | 5.8         | 15 (381)     | 8.81 (224) | 5.62 (143)  | 4.25 (108)  |
| 20-lb. | 11.8        | 22 (559)     | 8.81 (224) | 5.62 (143)  | 4.25 (108)  |

All written and visual data contained in this document are based on the latest product information available at the time of publication. Graco reserves the right to make changes at any time without notice.

## Contact us today!

To receive product information or talk with a Graco representative, call 800-533-9655 or visit us online at [www.graco.com](http://www.graco.com).

